

 Digital Signage

melford **OUTDOOR ADVERTISING DISPLAY**

65" outdoor advertising display - high brightness, mounted, tablet-style display ideal for any weather conditions

Designed for outdoor, 24/7 usage

Sunlight readable display with anti-reflective glass

IP65 rated for weather protection

IK10 rated to withstand tampering and damage

Integrated Android media player

Free lockable wall mount

ADDITIONAL FEATURES



Weatherproof design



Ambient light sensor



Giant tablet styling



Customisation available



Internal locker



Advanced temperature control system



Plug and play



Optional network upgrade

melfordtechnologies.com



Presenting the
Melford Outdoor
Advertising Display
range

melford



2,500 CD/M²
SUNLIGHT READABLE



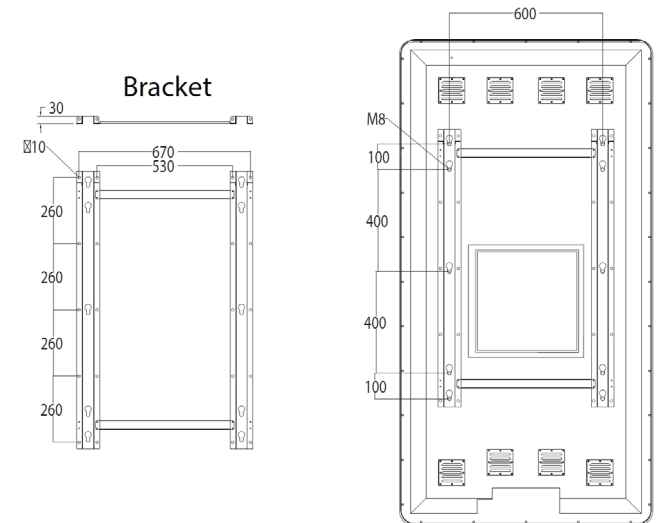
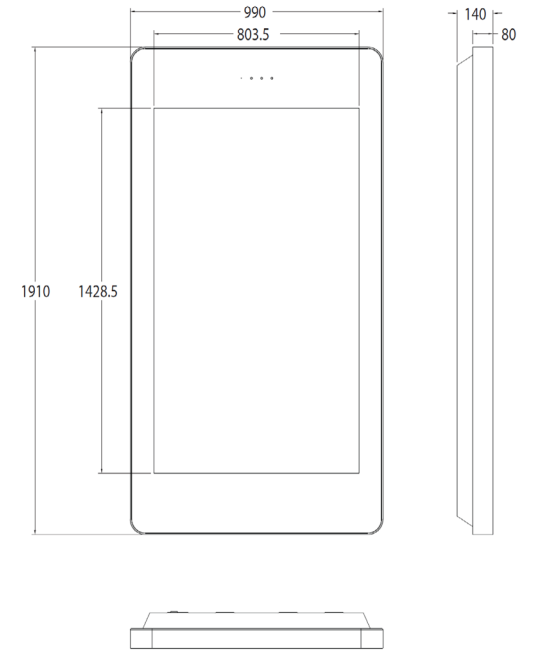
IP65 RATED



IK10 RATED

4K

4K COMPATIBLE



PLUG AND PLAY



OPTIONAL NETWORK UPGRADE



24/7 USAGE



LANDSCAPE OR PORTRAIT
ORIENTATION



melford

65 Inch

| | | |
|---------------|---------------------------------|---|
| Panel | Resolution | 3840 x 2160 |
| | Display Area (mm) | 1428.5 x 803.5 |
| | Aspect Ratio | 16:9 |
| | Brightness (cd/m ²) | 2500 |
| | Colour | 16.7M |
| | Viewing Angle | 178° |
| | Contrast Ratio | 8000:1 |
| AV Inputs | Video | HDMI, VGA |
| Power | Power Consumption (W) | 550 |
| | Input Voltage | AC110~240V (50Hz~60Hz) |
| Mechanical | Unit Size (WxHxD mm) | 1910 x 990 x 140 |
| | Package Size (WxHxD mm) | 2060 x 1280 x 330 |
| | Landscape VESA Holes (mm) | 1100 x 400 / 1300 x 400 |
| | Portrait VESA Holes (mm) | 600 x 800 / 600 x 1000 |
| | Net Weight (kg) | 115 |
| | Gross Weight (kg) | 168 |
| | IK Rating | IK10 |
| Environmental | Operating Temperature | -20°C to 50°C |
| | Operating Humidity | 10% to 80% |
| | Storage Temperature | -30°C to 60°C |
| | Storage Humidity | 5% to 90% |
| | Enclosure Protection | IP65 |
| Computer | Media Formats | Video (MPG, AVI, MP4, RM, RMVB, TS), Audio (MP3, WMA), Image (JPG, GIF, BMP, PNG) |
| | Media Resolution | 1920 x 1080 / 1080 x 1920 |
| | Internal Memory | 6GB |
| | CPU | Quad-Core Cortex-A17@1.61GHz |
| | GPU | Mali-T760 MP4 @600MHz |
| | RAM | 2GB DDR3 |
| | Internal Storage | 8GB NAND |
| | USB | USB2.0 HOST (x2) |
| | LAN | 10/100/1000Mb/s Ethernet |
| | Wi-Fi | 802.11b/g/n/ac |
| | OS | Android 5.1.1 |
| | Graphic Engine | OpenGL ES 1.1/2.0/3.0/3.1, OpenCL 1.1, Renderscript, Direct3D 11.1 |
| Accessories | Included | AC Power Cable, Remote Control, Wall Mount |
| | Optional | Touch Screen Upgrade, Network Upgrade, Camera |
| Warranty | Warranty Period | 3 Year Warranty |
| | Technical Support | Lifetime |

Why Melford?

Melford Technologies have been offering innovative technology solutions for over 50 years.

We provide experienced professional design, project planning, configuration, deployment, and maintenance services for a full one stop shop.

We can assist with the design and manufacture of your digital signage solution from the blank piece of paper at the initial meeting through to installation and post-sales support.

Contact Us

+44 (0)1494 638 069

info@melfordtechnologies.com

melfordtechnologies.com

